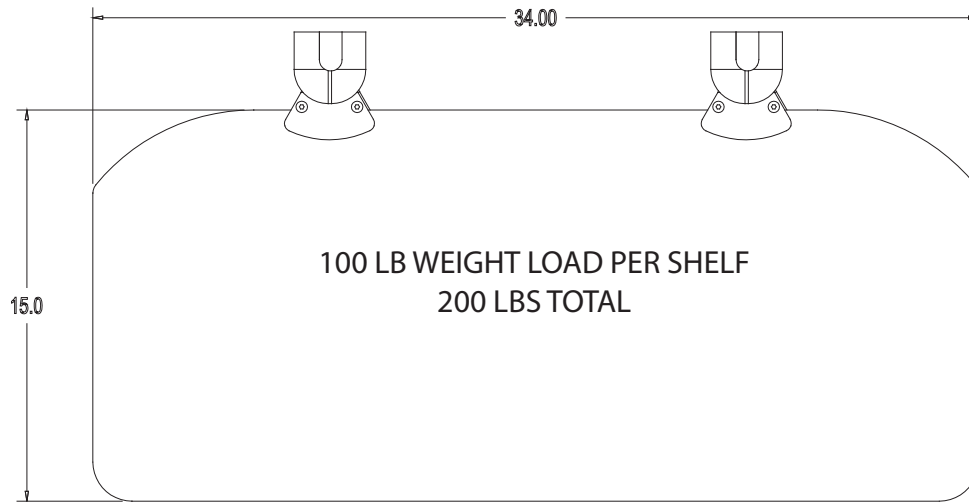


AXWG02 AV Component Shelf System Specification Sheet

MAX TOTAL WEIGHT 200 LBS / 90.72 KG



CAN ALSO BE MOUNTED ON 18" STUD CENTERS

